

highest quality state customized
WMC / WMC-F

CARATTERISTICHE - SPECIFICATIONS

| | | WMC | | WMC-F | |
|-------------|----------|---------------|--------------------|----------------|--|
| IN | DIAMETER | \varnothing | 1/2 BSP | 1/2 BSP | |
| | PRESS. | Min. | -0.1 bar - 1.5 PSI | 1 bar - 15 PSI | |
| | | Max. | 6 bar 87 PSI | 6 bar 87 PSI | |
| TEMP. | Max. | 60° C. | 140° F. | | |
| OUT | DIAMETER | \varnothing | 3/8 BSP | | |
| SHAFT | | \varnothing | HOLLOW 28 mm | | |
| OIL | | SAE 75W 90 | 0.6 litri | 0.16 U.S.G. | |
| PESO WEIGHT | | Kg / lbs | 7.6 / 16.7 | | |



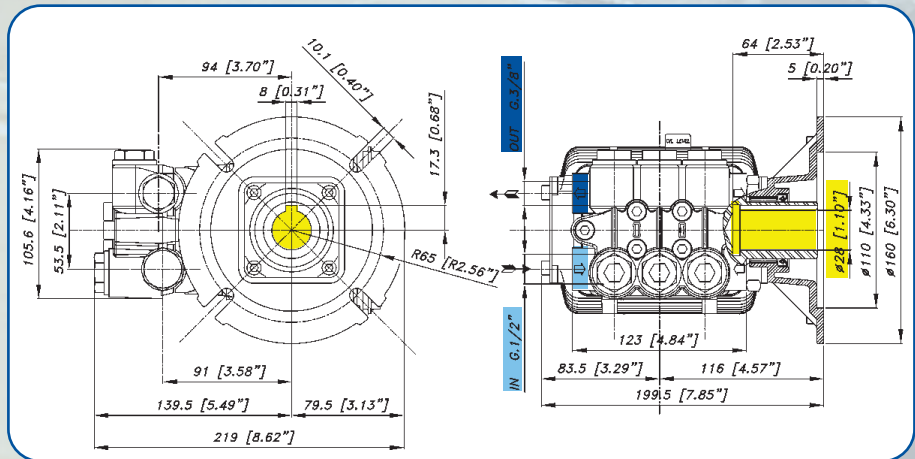
(M) IEC 100-112 B14-28mm



WMC [→] [↘] [↗] Dx T R B

WMC-F [→] [↘] [↗] Dx B Bz R

OPTIONAL [Sx] [Bz]



CARATTERISTICHE - FEATURES

WMC 1450 rpm

PERFORMANCE CHART

| CODICE CODE | MODELLO MODEL | PRESS MAX / MAX PRESSURE | | PORTATA / FLOW | | POTENZA / POWER | | PIST. PLUNG. Dia. mm | CORSA STROKE mm |
|----------------|------------------|--------------------------|------|----------------|-----|-----------------|-----|----------------------------|-----------------------|
| | | Bar | PSI | L/min | GPM | KW | HP | | |
| 04.8050.97.3 | WMC 1117 | 170 | 2500 | 11 | 2.9 | 3.3 | 4.5 | 18 | 9.8 |
| 04.8051.97.3 | WMC 1217 | 170 | 2500 | 12 | 3.1 | 3.6 | 5 | 18 | 10.8 |
| 04.8052.97.3 | WMC 1316 | 170 | 2500 | 13 | 3.4 | 4 | 5.5 | 18 | 12.4 |
| 04.8053.97.3 | WMC 1515 | 150 | 2200 | 15 | 3.9 | 4 | 5.5 | 18 | 13.6 |

WMC-F 2800 rpm

| | | | | | | | | | |
|--------------|------------|-----|------|----|-----|-----|-----|----|------|
| 04.8060.97.3 | WMC 1114 F | 140 | 2000 | 11 | 2.9 | 2,9 | 4 | 15 | 8 |
| 04.8061.97.3 | WMC 1120 F | 200 | 2900 | 11 | 2.9 | 4 | 5.5 | | |
| 04.8062.97.3 | WMC 1316 F | 160 | 2350 | 13 | 3.4 | 4 | 5.5 | 15 | 9.8 |
| 04.8063.97.3 | WMC 1320 F | 200 | 2900 | 13 | 3.4 | 5.1 | 7 | | |
| 04.8064.97.3 | WMC 1515 F | 150 | 2200 | 15 | 3.9 | 4 | 5.5 | 15 | 10.8 |
| 04.8065.97.3 | WMC 1520 F | 200 | 2900 | 15 | 3.9 | 5.5 | 7.5 | | |