

VALVOLE VD

UNLOADER VALVES - REGULATEURS - REGULADORES

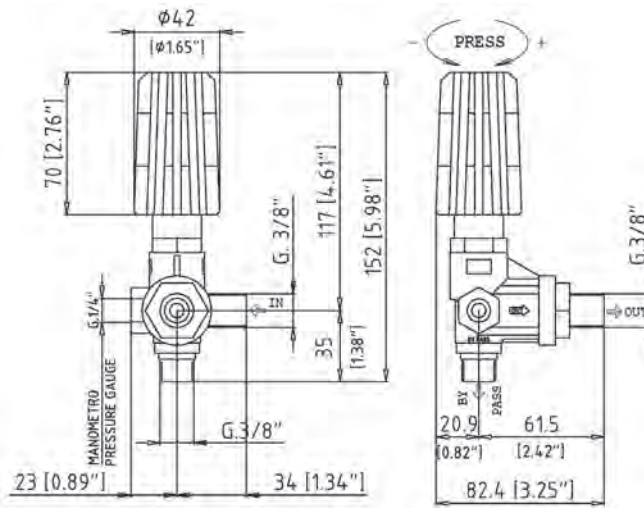
Valvole regolazione pressione con by-pass esterno
 Unloader valves with external by-pass
 Régulateurs de pression avec by-pass
 Válvulas de regulación de presión con by-pass

Temperatura max: 60°C - 140°F
 Max temperature: 60°C - 140°F
 Température max: 60°C - 140°F
 Temperatura máx: 60°C - 140°F

VD 140
 VD 200
 VD 280



CODICE CODE	COLOR	MODELLO MODEL	PRESSIONE MAX MAX PRESSURE		PORTATA FLOW		Attacco pompa Port size	Uscita Outlet	Scarico By-pass	PESO WEIGHT	
			BAR	PSI	l/min	GPM				Kg	lbs
05.9899.97.3	Green	VD 140	140	2000	30	8.0	3/8 BSP - M	3/8 BSP - M	3/8 BSP - M	0.73	1.6
05.9903.97.3	Green	VD 200	210	3000	30	8.0	3/8 BSP - M	3/8 BSP - M	3/8 BSP - M	0.73	1.6
05.9955.97.3	Green	VD 280	280	4000	30	8.0	3/8 BSP - M	3/8 BSP - M	3/8 BSP - M	0.73	1.6



VD
 CON MICROINTERRUTTORE
 WITH MICRO-SWITCH



CODICE CODE	COLOR	MODELLO MODEL	PRESSIONE MAX MAX PRESSURE		PORTATA FLOW		Attacco pompa Port size	Uscita Outlet	Scarico By-pass	PESO WEIGHT	
			BAR	PSI	l/min	GPM				Kg	lbs
05.8762.97.3	Green	VD 140 MICRO-SWITCH	140	2000	30	8.0	3/8 BSP - M	3/8 BSP - M	3/8 BSP - F	0.95	2.1
05.8763.97.3	Green	VD 200 MICRO-SWITCH	210	3000	30	8.0	3/8 BSP - M	3/8 BSP - M	3/8 BSP - F	0.95	2.1
05.8764.97.3	Green	VD 280 MICRO-SWITCH	280	4000	30	8.0	3/8 BSP - M	3/8 BSP - M	3/8 BSP - F	0.95	2.1

CORRENTE MAX: 2 A
 TENSIONE MAX: 250 V
 MAX CURR. STRENGTH: 2 A
 MAX VOLTAGE: 250 V

